

SUNBEAM™

SunBeam LED landing light with recognition is manufactured under FAAPMA standards in a rectangular format for a completely versatile installation.

It is also compatible as a drop-in replacement for the 70346 series lamp.

Common installations include: Diamond DA-40, Cessna Columbia, Liberty

XL, some Cirrus models and some Grumman models. SunBeam comes

standard with AeroLEDs signature integrated Pulse (WigWag), significantly

increasing recognition in broad daylight as well as night operations to help

avoid midair collisions and bird strikes while drawing half the current.



FEATURES

- Over 65% more light output than the competition
- Power consumption: 38 watts max
- Color temperature – cool white
- Built-in pulse mode (standard)
- Synchronization
- Easy installation
- 30k hr MTBF
- Built-in thermal protection
- Aluminum/black powder coated heat sink
- UV hardcoated polycarbonate lens



THE
AEROLEDs™
STANDARD

**INDUSTRY LEADING
PERFORMANCE**

5-YEAR WARRANTY

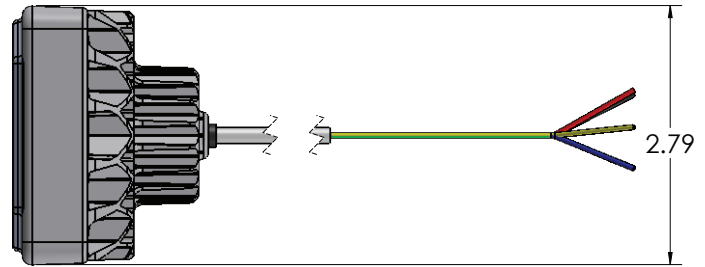
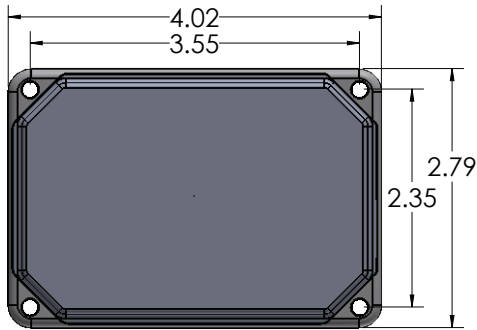
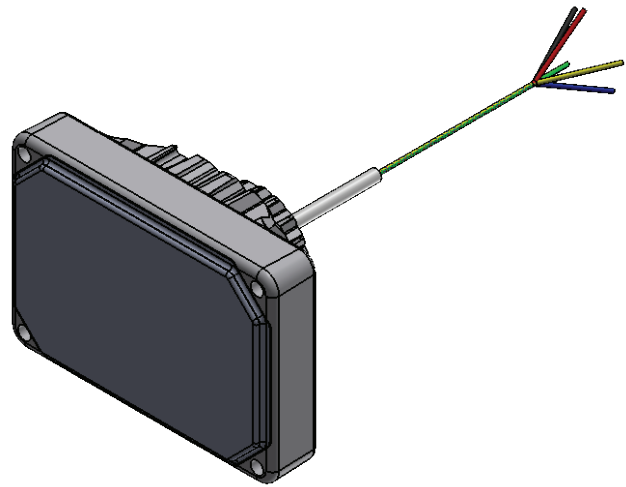
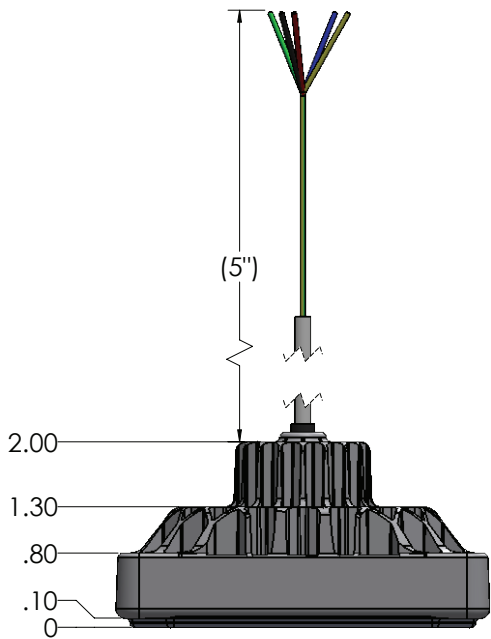
HIGH EFFICIENCY

SHOCKPROOF

LESS DRAG

LONG LIFE





SPECIFICATIONS		LANDING / RECOGNITION LIGHT	
SUNBEAM		90-1000-12	90-1000-24
Certification		FAA-PMA/STC	
Voltage	Nominal	14VDC	28VDC
	Minimum	9VDC	18VDC
	Maximum	15VDC	30VDC
Current		2.7A at 14V	1.4A at 28V
Power		38W	
Lumens		3,300	
Candela		90,000	
Beam Profile (@10% peak)		20° Vertical x 20° Horizontal	
Dimensions (L x W x D)		4" x 2.8" x 2"	
Weight		8.8oz	
Mounting		(4) x 6-32	